

Aston Club

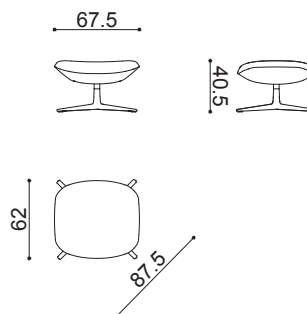
Design by Jean-Marie Massaud, 2020

Art. 2401

Footstool on a four-legged base in polished or powder-coated aluminium and a polyurethane shell covered with fabric, leather, coated fabric or a covering of the client's choice.



Dimensions *



* File CAD 2D - 3D available for download at www.arper.com

Frame Base



Shell

Carded In



Graded In

kvadrat

camira

Gabriel

Aston Club

Design by Jean-Marie Massaud, 2020

SHIPMENT DETAILS

Art.2401

1 pz = 1  - kg 15/ m³ 0,3

TECHNICAL SPECIFICATIONS

Art.2401

COL requirement m² 2.28

H 140 cm. COM Meterage m 1.3

arper

www.arper.com

info@arper.com